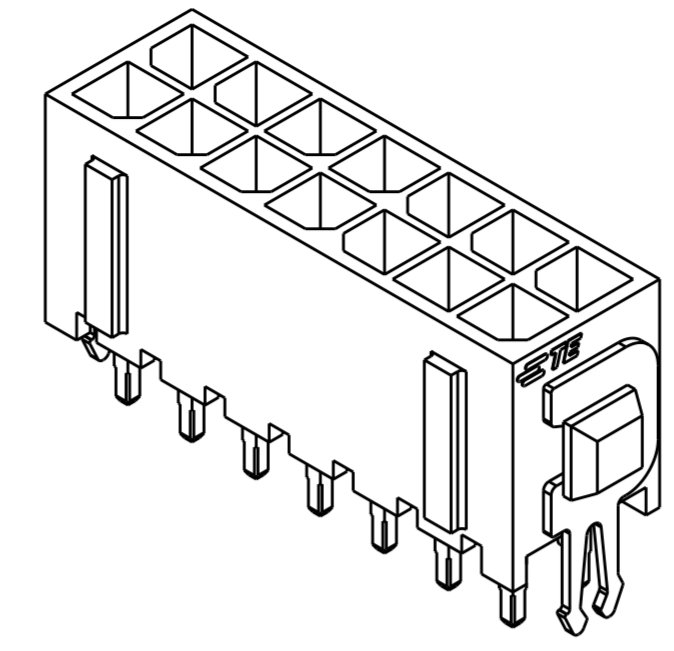
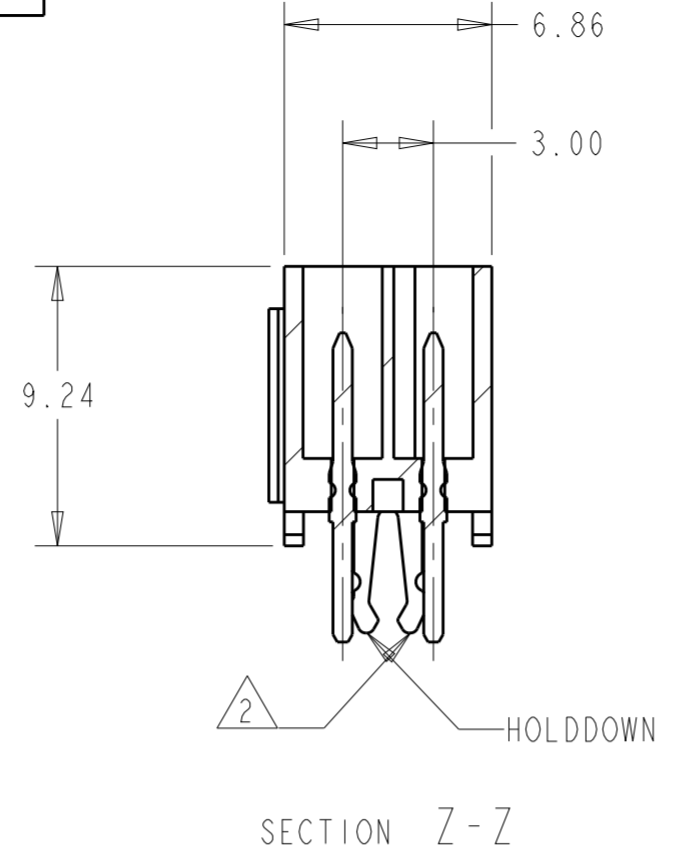
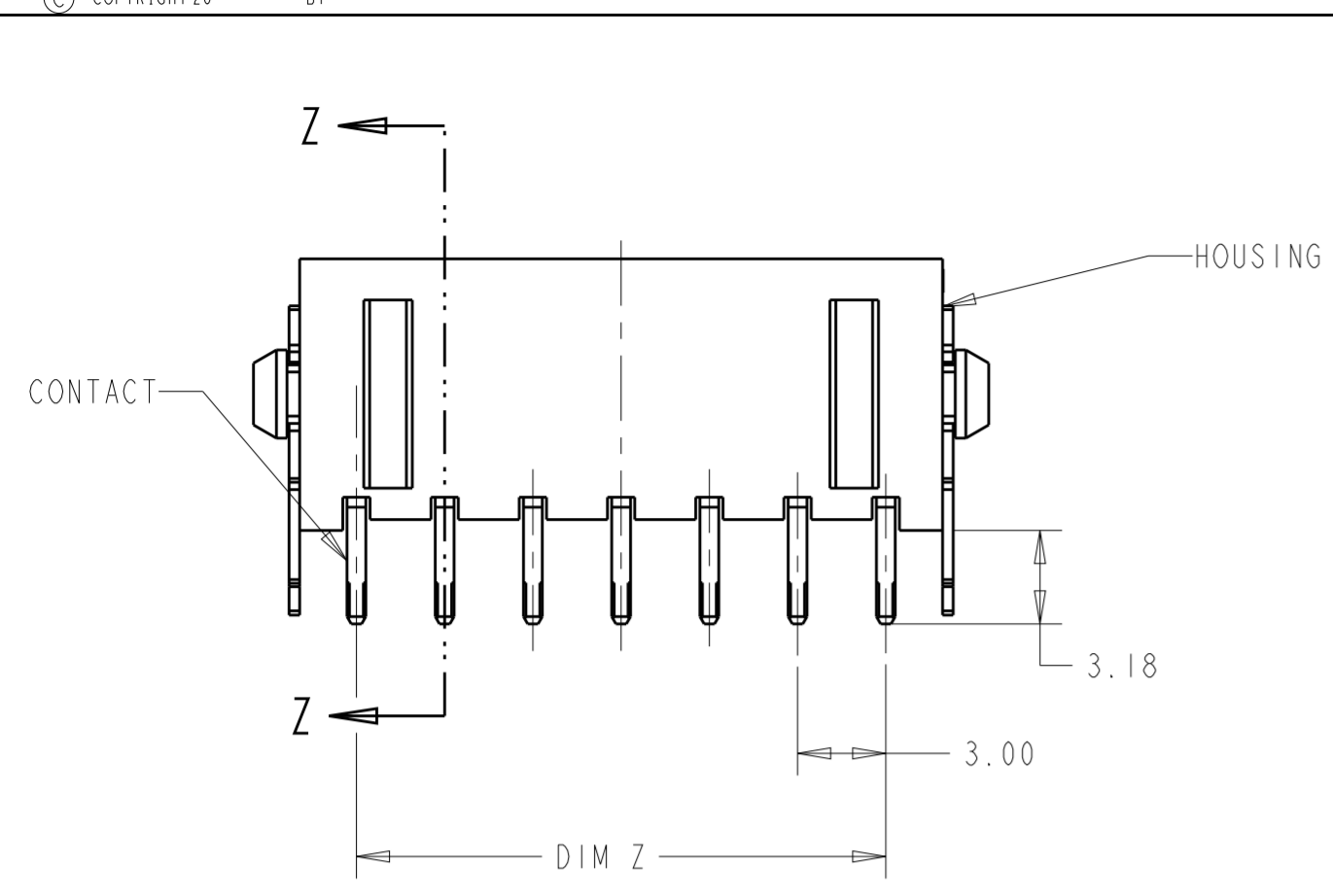
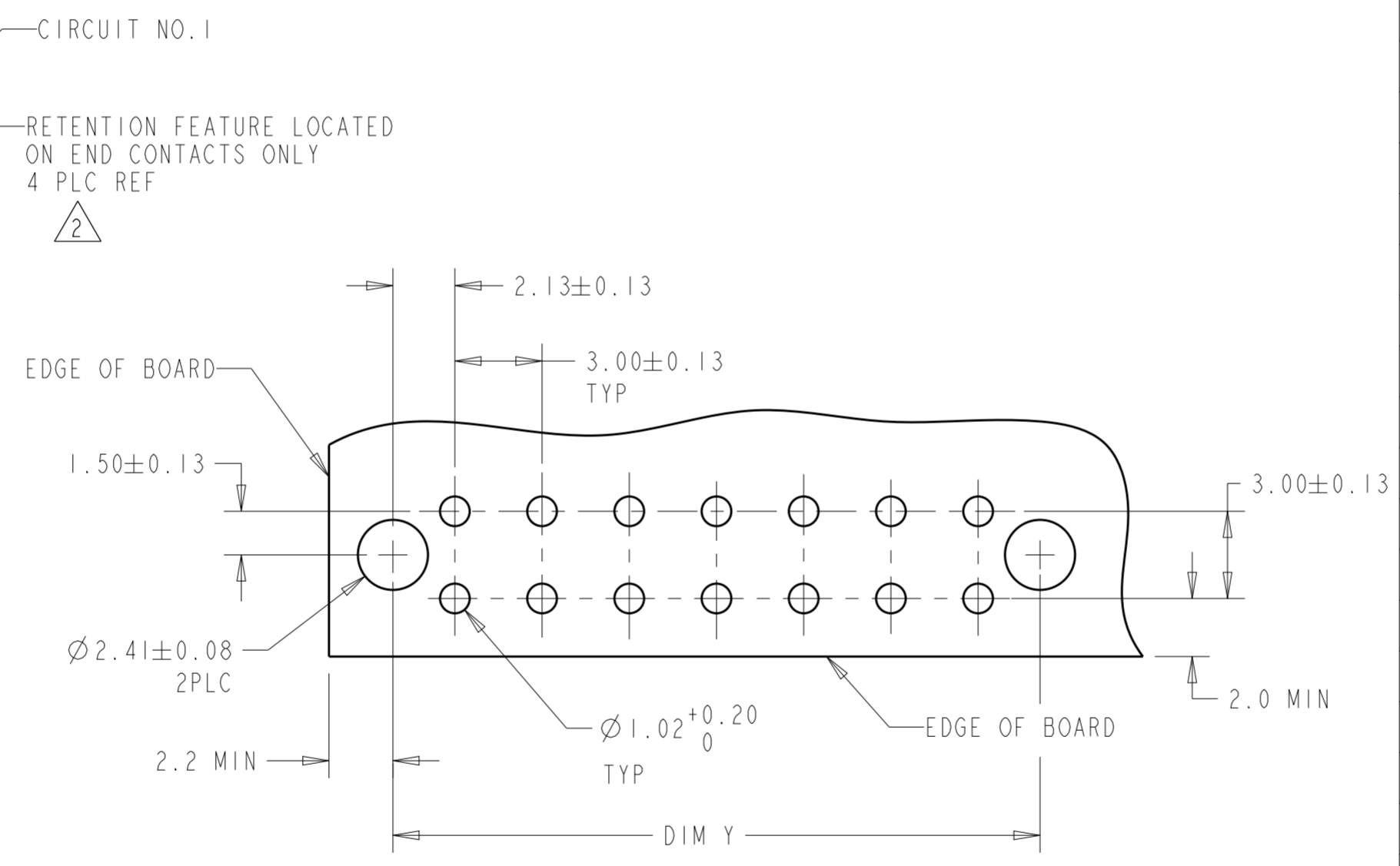
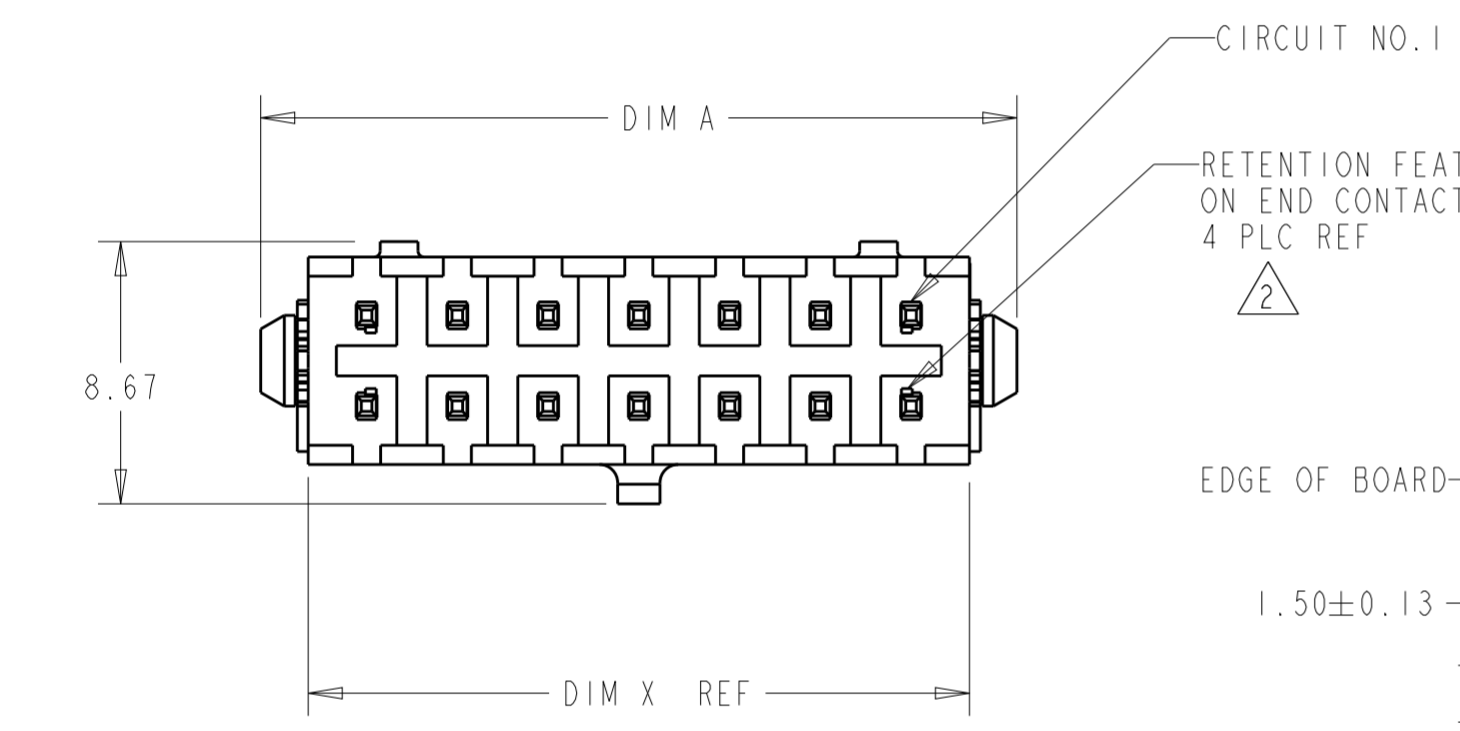


THIS DRAWING IS UNPUBLISHED. RELEASED FOR PUBLICATION
 © COPYRIGHT 20 BY - ALL RIGHTS RESERVED.

LOC	DIST	REVISIONS					
CM	00	P	LTR	DESCRIPTION	DATE	DWN	APVD
		F		REVISED PER ECO-15-005484	28JULY2015	SC	DZ



3 DIMENSIONAL MODEL



RECOMMENDED MOUNTING HOLE PATTERN SCALE 5:1

1 MATERIAL: HOUSING - NYLON, UL 94V-0, BLACK.
 CONTACT - BRASS.
 0.00038 MINIMUM GOLD OVER 0.00254
 MINIMUM NICKEL ON MATING AREA. 0.00254
 TIN-LEAD MINIMUM OVER 0.00254 NICKEL
 MINIMUM ON SOLDER TAILS.
 HOLDDOWNS: PHOSPHOE BRONZE, .00254 TIN-LEAD.

2 MAXIMUM INSERTION 30 LBS.

3 RECOMMENDED BOARD THICKNESS 1.57.

4 MATERIAL: HOUSING - NYLON, UL 94V-0, BLACK.
 CONTACT - BRASS.
 0.00038 MINIMUM GOLD OVER 0.00254
 MINIMUM NICKEL ON MATING AREA. 0.00254
 MATTE TIN MINIMUM OVER 0.00254 NICKEL
 MINIMUM ON SOLDER TAILS.
 HOLDDOWNS: PHOSPHOE BRONZE, .00254 MATTE TIN.

FINISH	DIM A	DIM Z	DIM Y	DIM X	NO. OF POSN.	PART NUMBER
4	40.00	33.00	37.30	36.86	24	5-794681-4
4	37.00	30.00	34.30	33.86	22	5-794681-2
4	34.00	27.00	31.30	30.86	20	5-794681-0
4	31.00	24.00	28.30	27.86	18	4-794681-8
4	28.00	21.00	25.30	24.86	16	4-794681-6
4	25.00	18.00	22.30	21.86	14	4-794681-4
4	22.00	15.00	19.30	18.86	12	4-794681-2
4	19.00	12.00	16.30	15.86	10	4-794681-0
4	16.00	9.00	13.30	12.86	8	3-794681-8
4	13.00	6.00	10.30	9.86	6	3-794681-6
4	10.00	3.00	7.30	6.86	4	3-794681-4
4	7.00	-	4.30	3.86	2	3-794681-2
1	40.00	33.00	37.30	36.86	24	2-794681-4
1	37.00	30.00	34.30	33.86	22	2-794681-2
1	34.00	27.00	31.30	30.86	20	2-794681-0
1	31.00	24.00	28.30	27.86	18	1-794681-8
1	28.00	21.00	25.30	24.86	16	1-794681-6
1	25.00	18.00	22.30	21.86	14	1-794681-4
1	22.00	15.00	19.30	18.86	12	1-794681-2
1	19.00	12.00	16.30	15.86	10	1-794681-0
1	16.00	9.00	13.30	12.86	8	794681-8
1	13.00	6.00	10.30	9.86	6	794681-6
1	10.00	3.00	7.30	6.86	4	794681-4
1	7.00	-	4.30	3.86	2	794681-2

THIS DRAWING IS A CONTROLLED DOCUMENT.

DIMENSIONS: mm [INCHES]	TOLERANCES UNLESS OTHERWISE SPECIFIED: 0 PLC ± 1 PLC ± 2 PLC ±0.20 [0.008] 3 PLC ± 4 PLC ± ANGLES ± FINISH	DWN B. HAYMAKER 17AUG99 CHK K. COBLE 17AUG99 APVD K. COBLE 17AUG99	TE Connectivity VERTICAL HEADER ASSEMBLY, THRU HOLE, 15 GOLD, DUAL ROW, MICRO MATE-N-LOK™
MATERIAL	SEE TABLE	PRODUCT SPEC APPLICATION SPEC WEIGHT	

SIZE: A2 CAGE CODE: 00779 DRAWING NO: 794681 RESTRICTED TO: -
 SCALE: 4:1 SHEET 1 OF 1 REV F